

AMERICAN
EST. 1954
ORIGINAL

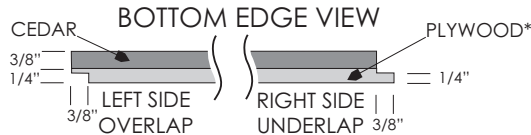


- Applies 10 times faster than R&R shingles
- Self aligning and blind nailing line
- Overlapping end joints
- Rainscreen back on 7" exposure panel
- Traditional R&R shingle butt thickness
- Vertical grain western red cedar

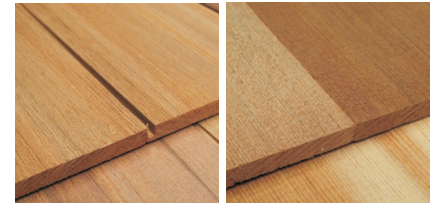
SHAKERTOWN
Craftsman
SHINGLE PANEL®

Product	Exposure	Length	BUNDLE				PALLET				PALLET	
			Pieces	Coverage	Dimensions	Weight	Bundles	Coverage	Dimensions	Weight	Cost/bdl	Price/bdl
Craftsman Panel	4.5"	8' *	12 *	36 sf	96" x 5 1/2" x 7"	49 lbs	56	2016 sf	96" x 44" x 47 1/2"	2945 lbs		
Craftsman Panel	7"	8' *	8 *	37 sf	96" x 8 1/4" x 5"	50 lbs	45	1665 sf	96" x 44" x 43"	2395 lbs		
Craftsman Panel	14"	8' *	4 *	37 sf	96" x 16 5/8" x 3"	52 lbs	45	1665 sf	96" x 52" x 35 1/2"	2500 lbs		

* Up to 5% of any mill shipment may have nested bundles with panel lengths shorter than 8-feet.

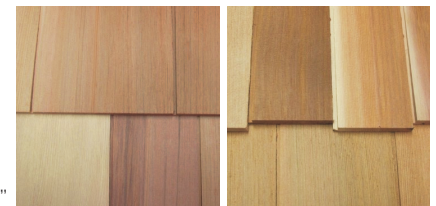


SHINGLE JOINT OPTIONS

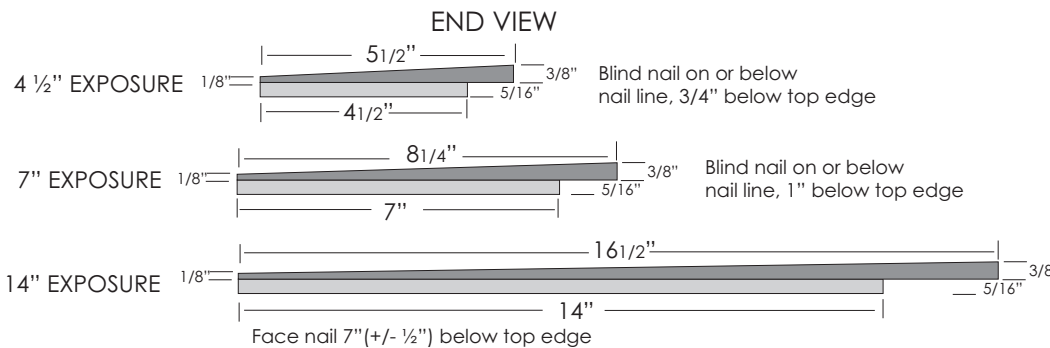


Keyway Contemporary

SHINGLE BUTT OPTIONS



Even Butt Staggered Butt



Corners

Shakertown Craftsman pre-made corners are available in both a classic Boston Weave or mitered. Like all Shakertown products, these corner pieces make application fast and easy.

Mitered



Boston Weave



Product	Exposure	Dimensions	CARTON			CARTON	
			Pieces	Coverage	Weight	Cost/ctn	Price/ctn
Craftsman Corner	4.5"	3 1/4" & 4 1/4" x 5 1/2"	16	6 lf	6 lbs		
Craftsman Corner	7"	3 1/4" & 4 1/4" x 8 1/4"	16	9.3 lf	8 lbs		
Craftsman Corner	14"	3 1/4" & 4 1/4" x 16 1/2"	8	9.3 lf	8 lbs		

SIGNATURE

premium sidewall shingles



Product	1 SQUARE CARTON*					Cost/ctn	Price/ctn
	Exposure*	Coverage*	Dimensions	Weight			
18" R&R Shingle	14"	100 sf	19 1/2" x 15 1/2" x 18"	55 lbs			
18" R&R Primed Grey	14"	100 sf	19 1/2" x 15 1/2" x 18"	65 lbs			
18" R&R Sanded	14"	100 sf	19 1/2" x 15 1/2" x 18"	52 lbs			
18" R&R Sanded PG**	14"	100 sf	19 1/2" x 15 1/2" x 18"	62 lbs			
18" R&R Grooved	14"	100 sf	19 1/2" x 15 1/2" x 18"	52 lbs			
18" R&R Grooved PG**	14"	100 sf	19 1/2" x 15 1/2" x 18"	62 lbs			

Product	1/2 SQUARE CARTON*					Cost/ctn	Price/ctn
	Exposure*	Coverage*	Dimensions	Weight			
18" R&R Shingle	14"	50 sf	19 1/2" x 8" x 18"	29 lbs			
18" R&R Primed Grey	14"	50 sf	19 1/2" x 8" x 18"	33 lbs			
18" R&R Sanded	14"	50 sf	19 1/2" x 8" x 18"	27 lbs			
18" R&R Sanded PG**	14"	50 sf	19 1/2" x 8" x 18"	32 lbs			
18" R&R Grooved	14"	50 sf	19 1/2" x 8" x 18"	27 lbs			
18" R&R Grooved PG**	14"	50 sf	19 1/2" x 8" x 18"	32 lbs			

Coverage & Exposure Table

One square carton coverage of rebuted-rejointed shingles, sanded shingles and grooved sidewall shingles at indicated weather exposure. (e.g. No1. 18" @ 7" exposure = 50 sq ft of coverage)

Shingle Length	Exposure									
	5"	6"	7"	8"	9"	10"	11"	12"	13"	14"
18" *	36	43	50	57†	64	72	79	86	93	100‡

* Sold in 1 square and 1/2 square cartons. ** PG=Primed Grey.

† Maximum single course exposure. ‡ Maximum double course exposure.

Fancy Cuts



Product	Exposure	BUNDLE				Cost/bdl	Price/bdl
		Pieces	Coverage	Dimensions	Weight		
Fancy Cuts Panel	5"	6	20 sf	96" x 9 1/4" x 3 1/4"	34 lbs		

Patterns Available: Round, Fish Scale, Arrow, Diagonal, Hexagon, Octagon, Half Cove, Square



Product	Exposure	CARTON				Cost/ctn	Price/ctn
		Pieces	Coverage	Dimensions	Weight		
18" Fancy Cuts	7.5"	96	25 sf	15" x 10" x 18"	25 lbs		
18" Fancy Cuts	5"	96	16.7 sf	15" x 10" x 18"	25 lbs		

Patterns Available: Round, Fish Scale, Diamond, Arrow, Diagonal, Hexagon, Octagon, Half Cove, Square
NOTE: All Fancy Cuts shingles on panels and individuals are 4 15/16" wide.